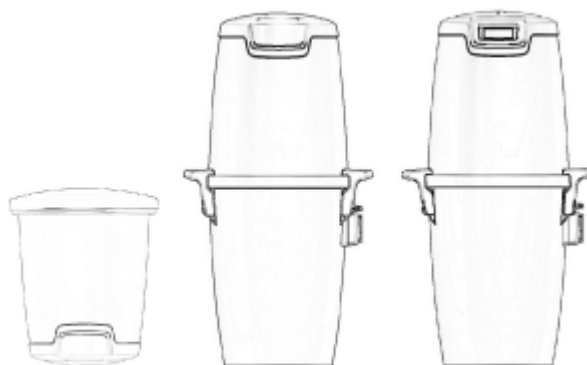


# CV 10, CV20, CV25, CV30i, CV35i (CA)

---

Model:  
CV 10 Canada from  
2009  
CV 20 Canada from  
2009  
CV 30i Canada from  
2009



Part List US-English

25-05-2009

# Table of Contents

CV 10, CV20, CV25, CV30i, CV35i (CA)

<b>CV10 from Serial Number ?????</b>	<b>3</b>
<b>CV 20, CV 25 from Serial Number ???</b>	<b>5</b>
<b>CV30i, CV35i from Serial Number ?????</b>	<b>7</b>
<b>CV 10 up to Serial Number ??</b>	<b>9</b>
<b>CV 20, CV 25 up to Serial Number ??</b>	<b>11</b>
<b>CV 30i, CV35i up to Serial Number ??</b>	<b>13</b>
<b>Accessory kit sets</b>	<b>15</b>
<b>Hoses</b>	<b>17</b>
<b>Nozzles</b>	<b>19</b>
<b>Inlets</b>	<b>21</b>
<b>Pipes and accessories for pipes</b>	<b>23</b>
<b>Assembly kit sets</b>	<b>25</b>
<b>Pipe kit sets</b>	<b>27</b>

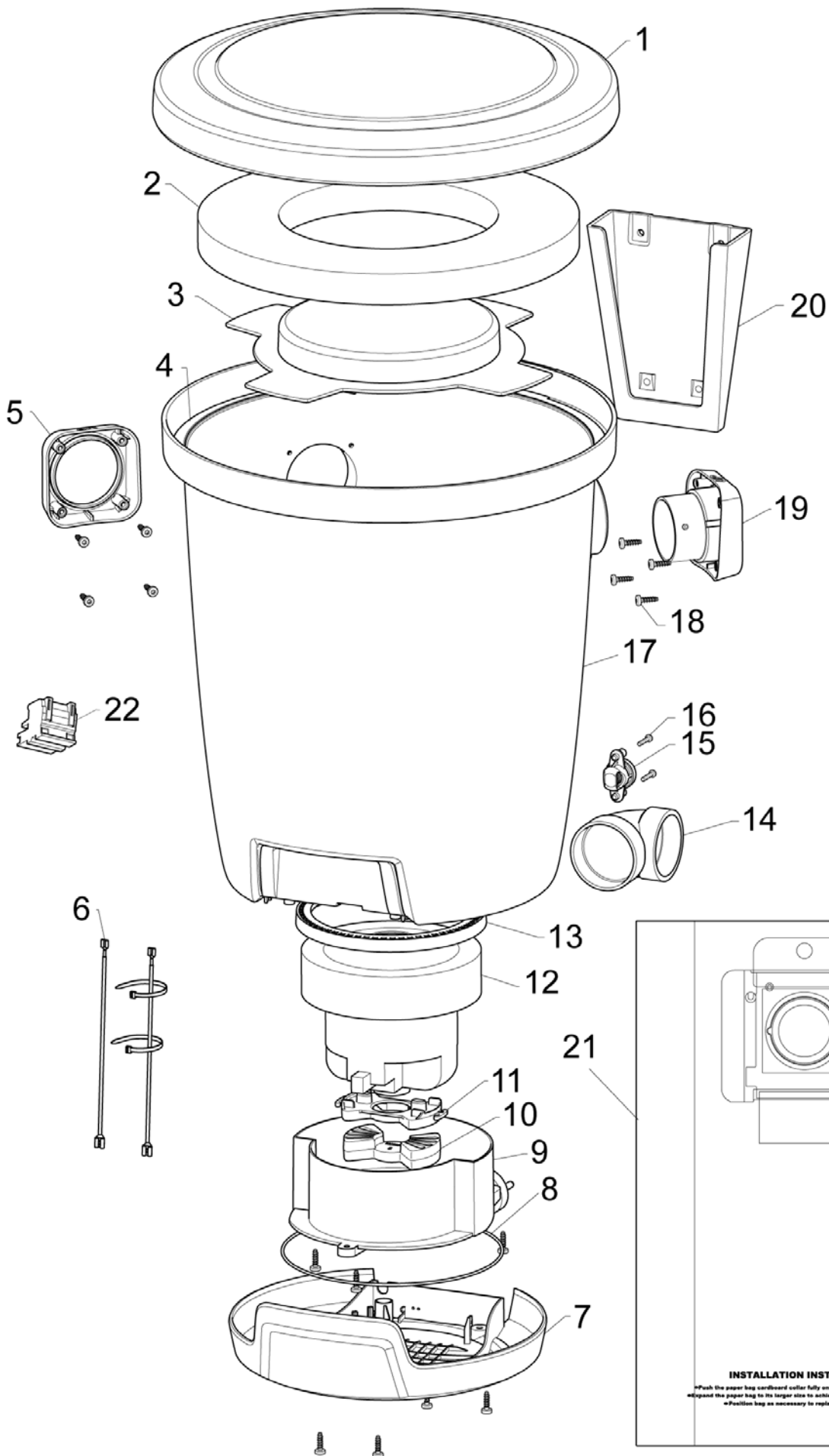
# CV10 from Serial Number ??????

CV 10, CV20, CV25, CV30i, CV35i (CA)

25-05-2009

Part List ID  
CV10203002

3



# CV10 from Serial Number ??????

CV 10, CV20, CV25, CV30i, CV35i (CA)

25-05-2009

Part List ID  
CV10203002

4

Pos	Part no.	Qty	Description	EAN
2	140 8539 500	1	FILTER CV	7319519650
3	140 8537 000	1	IP COVER	7319519635
4	140 0061 060	1	GASKET L 1075	7319519640
5	140 8536 010	1	PLUG INLET NILFISK	7319519641
6	140 7040 080	1	WIRE CPL. 4.8X0.8 L 290	7319519405
7	140 8510 570	1	COVER MOTOR NILF CV10/20 CA	7319519657
8	140 6799 010	1	GASKET L 660	7319519640
9	140 8521 000	1	NOISE TRAP	7319519635
10	82258200	1	DAMPER	7319519614
11	82320600	1	ADAPTOR F. FAN UNIT	7319519614
12	140 8624 630	1	FAN UNIT KIT	7319519660
13	140 8523 000	1	GASKET MOTOR	7319519634
14	140 6734 500	1	PIPE COUPLING 90 DEGREE	7319519664
15	140 7779 010	1	VACUUM VALVE CPL.	7319519642
16	140 9214 220	1	SCREW PT K30X16 FZB	7319519602
17	140 8526 010	1	CHASSI W. INLET NILFISK	7319519640
18	140 9214 040	1	SCREW PTK TORX 40X14 MM FZB	7319519418
19	140 8535 010	1	INLET NILFISK	7319519641
21	147 0770 010	3	DUST BAG CV 3PCS BASIC	7319519650
22	140 8049 510	1	CONNECTOR CV G2	7319519645

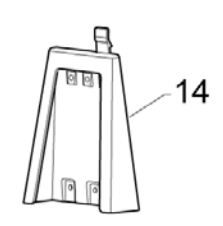
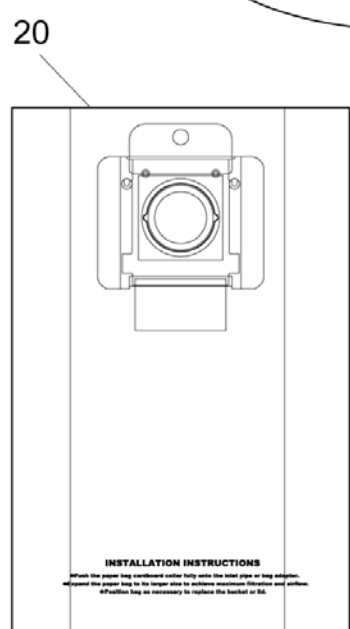
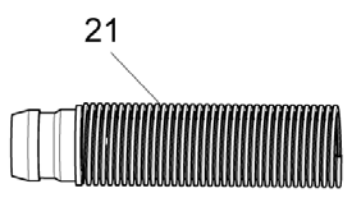
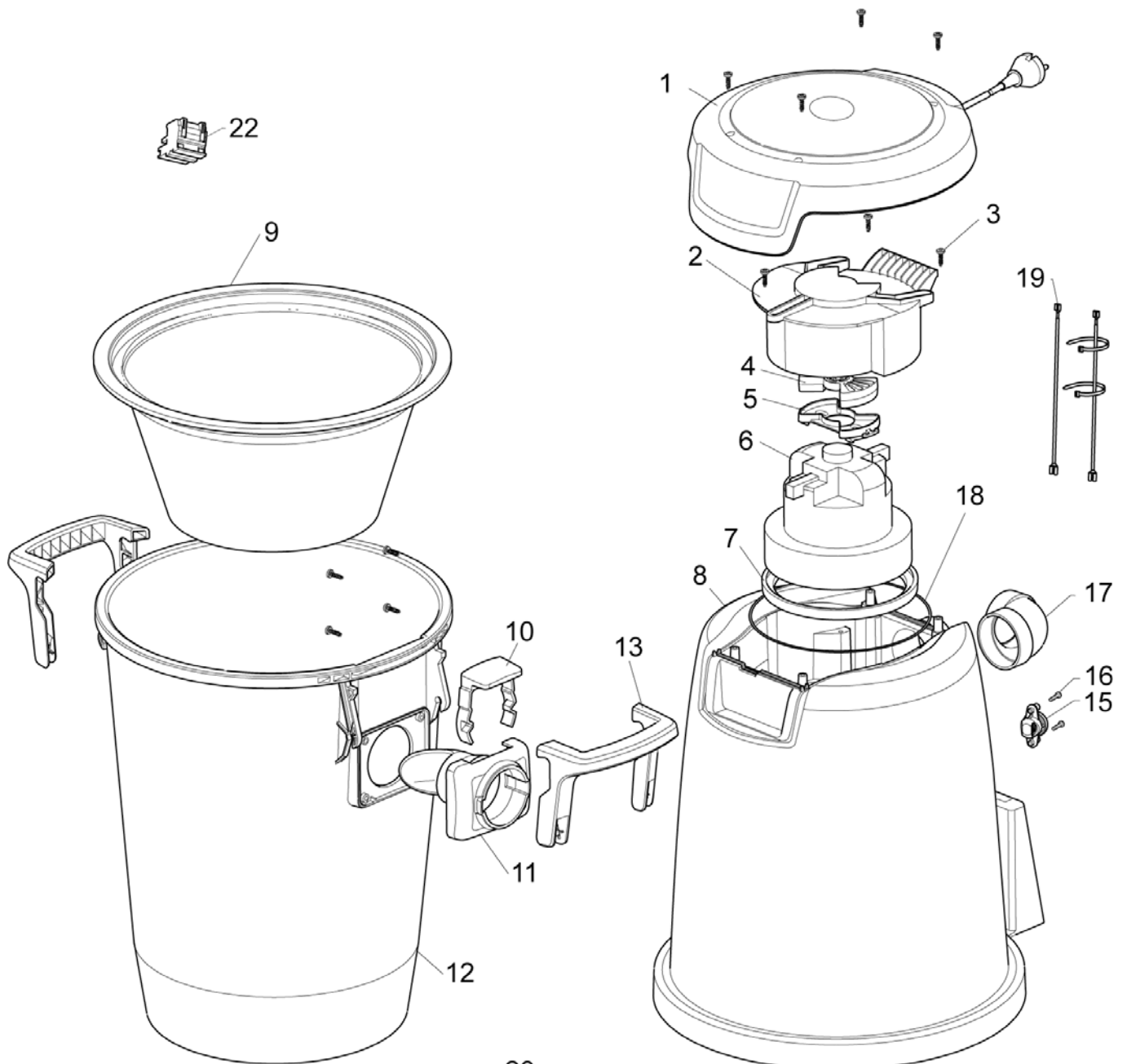
# CV 20, CV 25 from Serial Number ???

CV 10, CV20, CV25, CV30i, CV35i (CA)

25-05-2009

Part List ID  
CV10203004

5



# CV 20, CV 25 from Serial Number ???

CV 10, CV20, CV25, CV30i, CV35i (CA)

25-05-2009

Part List ID  
CV10203004

6

Pos	Part no.	Qty	Description	EAN
1	140 8510 570	1	COVER MOTOR NILF CV10/20 CA	7319519657
3	140 9214 040	1	SCREW PTK TORX 40X14 MM FZB	7319519418
4	82258200	1	DAMPER	7319519614
5	82320600	1	ADAPTOR F. FAN UNIT	7319519614
6	140 8624 630	1	FAN UNIT KIT	7319519660
6	147 1327 500	1	FAN UNIT KIT 120V 630 AIRW	7319519667
7	140 8523 000	1	GASKET MOTOR	7319519634
8	140 8501 010	1	CHASSIS NILFISK CV20	7319519634
9	140 8514 500	1	BAG FILTER	7319519650
10	140 7205 510	1	TRIGGER WD	7319519650
11	140 7204 520	1	INLET GWD 300-SERIES BLACK	7319519647
12	140 8502 010	1	CONTAINER NILFISK	7319519634
13	140 8503 010	1	HANDLE NILFISK CV	7319519641
15	140 9214 220	1	SCREW PT K30X16 FZB	7319519602
16	140 7779 010	1	VACUUM VALVE CPL.	7319519642
17	140 6734 500	1	PIPE COUPLING 90 DEGREE	7319519664
18	140 6799 010	1	GASKET L 660	7319519640
19	140 7040 080	1	WIRE CPL. 4.8X0.8 L 290	7319519405
20	140 7765 050	1	DUST BAGS 3-PACK.	7319519618
22	140 8049 510	1	CONNECTOR CV G2	7319519645

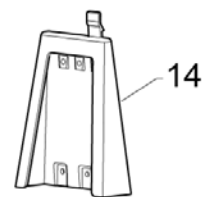
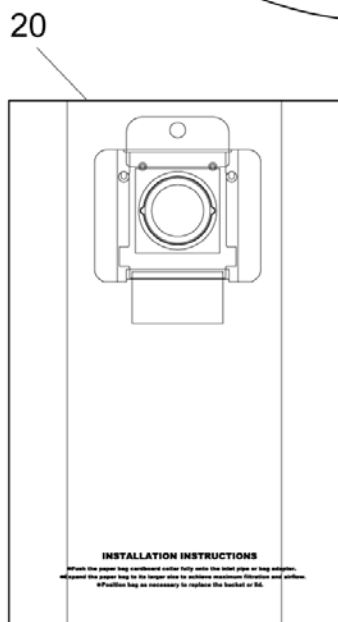
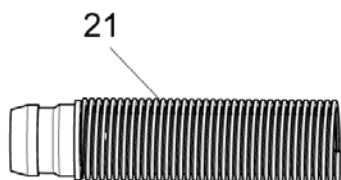
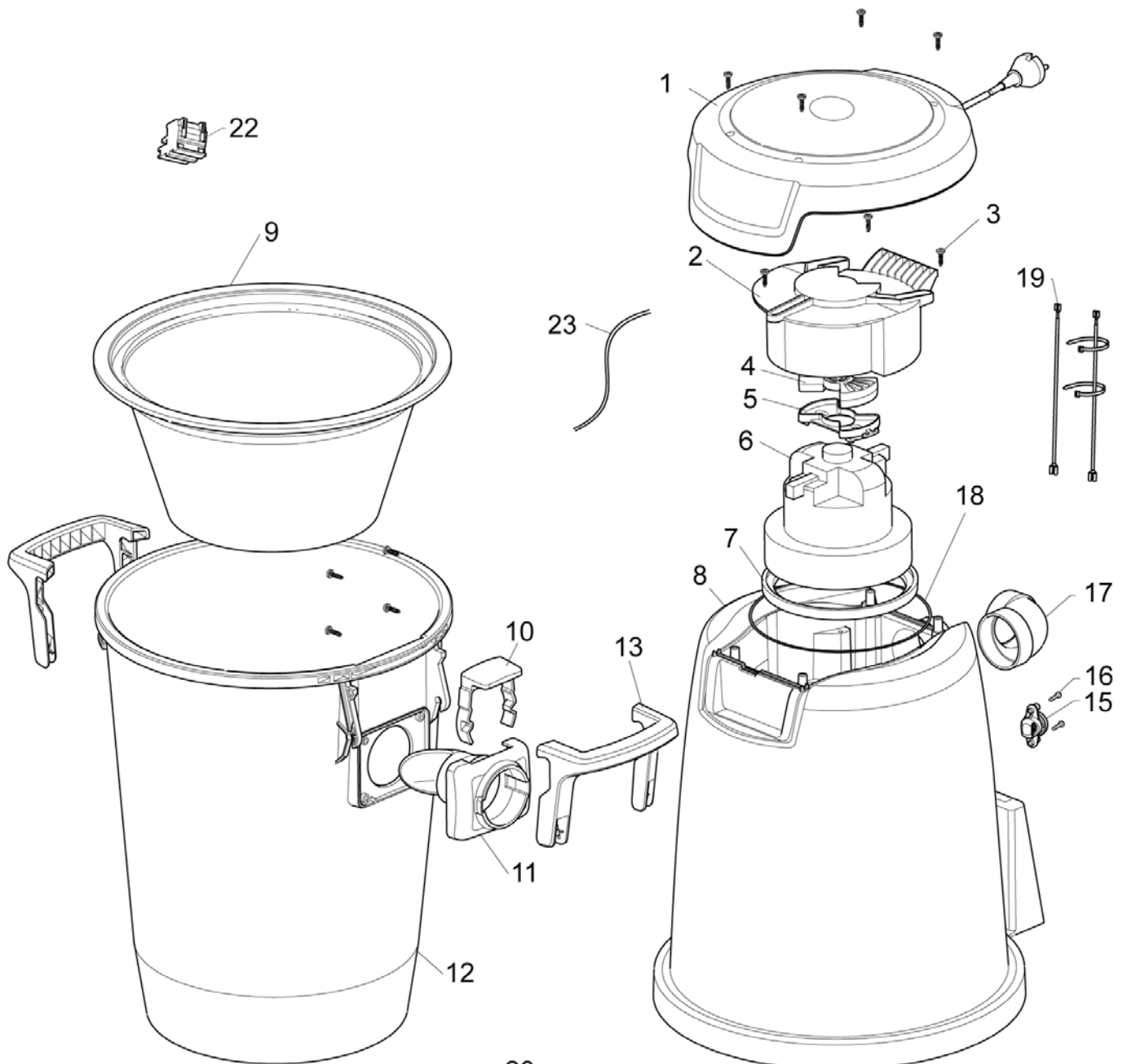
# CV30i, CV35i from Serial Number ????

CV 10, CV20, CV25, CV30i, CV35i (CA)

25-05-2009

Part List ID  
CV10203006

7



# CV30i, CV35i from Serial Number ????

CV 10, CV20, CV25, CV30i, CV35i (CA)

25-05-2009

Part List ID  
CV10203006

8

Pos	Part no.	Qty	Description	EAN
1	140 8510 700	1	COVER MOTOR NILF CV30I MY	7319519672
1	140 8510 710	1	COVER MOTOR NILF CV30I AU/NZ	7319519672
1	140 8510 720	1	COVER MOTOR NILF CV30I CA	7319519672
2	140 8521 000	1	NOISE TRAP	7319519635
3	140 9214 040	1	SCREW PTK TORX 40X14 MM FZB	7319519418
4	82258200	1	DAMPER	7319519614
5	82320600	1	ADAPTOR F. FAN UNIT	7319519614
6	147 1327 500	1	FAN UNIT KIT 120V 630 AIRW	7319519667
7	140 8523 000	1	GASKET MOTOR	7319519634
8	140 8501 020	1	CHASSIS NILFISK CV30I	7319519641
9	140 8514 500	1	BAG FILTER	7319519650
10	140 7205 510	1	TRIGGER WD	7319519650
11	140 7204 520	1	INLET GWD 300-SERIES BLACK	7319519647
12	140 8502 010	1	CONTAINER NILFISK	7319519634
13	140 8503 510	1	HANDLE NILFISK CV 20/30I	7319519650
15	140 9214 220	1	SCREW PT K30X16 FZB	7319519602
16	140 7779 010	1	VACUUM VALVE CPL.	7319519642
17	140 6734 500	1	PIPE COUPLING 90 DEGREE	7319519664
18	140 6799 010	1	GASKET L 660	7319519640
19	140 7040 080	1	WIRE CPL. 4.8X0.8 L 290	7319519405
20	140 7765 050	1	DUST BAGS 3-PACK.	7319519618
22	140 8049 510	1	CONNECTOR CV G2	7319519645

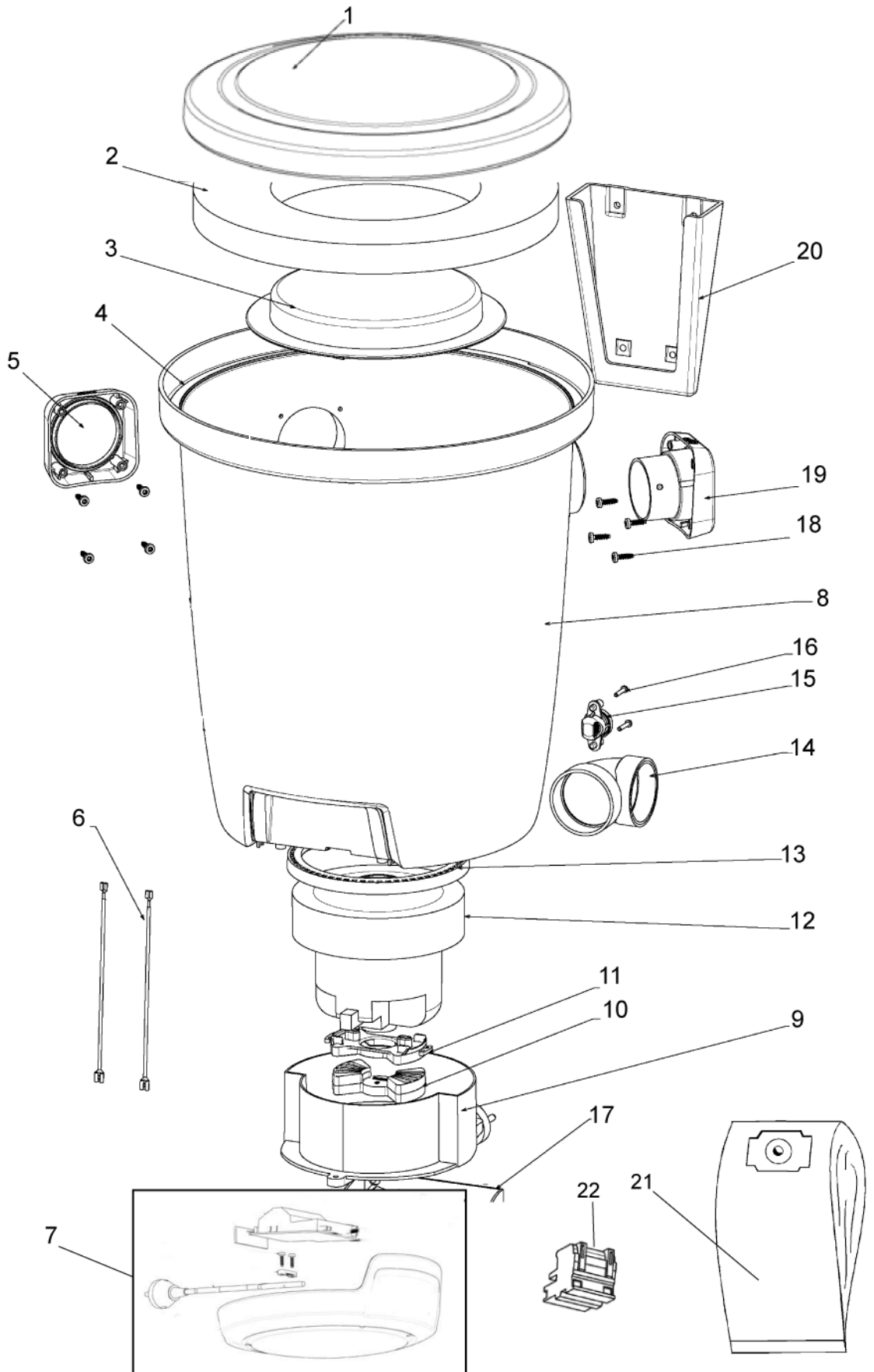
# CV 10 up to Serial Number ??

CV 10, CV20, CV25, CV30i, CV35i (CA)

25-05-2009

Part List ID  
CV10203008

9



# CV 10 up to Serial Number ??

CV 10, CV20, CV25, CV30i, CV35i (CA)

25-05-2009

Part List ID  
CV10203008

10

Pos	Part no.	Qty	Description	EAN
2	140 8539 500	1	FILTER CV	7319519650
3	140 8537 000	1	IP COVER	7319519635
4	140 0061 060	1	GASKET L 1075	7319519640
5	140 8536 010	1	PLUG INLET NILFISK	7319519641
6	140 7040 080	1	WIRE CPL. 4.8X0.8 L 290	7319519405
7	140 8510 570	1	COVER MOTOR NILF CV10/20 CA	7319519657
8	140 8526 010	1	CHASSI W. INLET NILFISK	7319519640
9	140 8521 000	1	NOISE TRAP	7319519635
10	82258200	1	DAMPER	7319519614
11	82320600	1	ADAPTOR F. FAN UNIT	7319519614
12	140 8624 510	1	FAN UNIT CONVERSION KIT	7319519655
12	140 8624 630	1	FAN UNIT KIT	7319519660
13	140 8523 000	1	GASKET MOTOR	7319519634
14	140 6734 500	1	PIPE COUPLING 90 DEGREE	7319519664
15	140 7779 010	1	VACUUM VALVE CPL.	7319519642
16	140 9214 220	1	SCREW PT K30X16 FZB	7319519602
17	140 6799 010	1	GASKET L 660	7319519640
18	140 9214 040	1	SCREW PTK TORX 40X14 MM FZB	7319519418
19	140 8535 010	1	INLET NILFISK	7319519641
20	140 8532 000	1	BRACKET WALL	7319519634
21	147 0770 010	3	DUST BAG CV 3PCS BASIC	7319519650
22	140 8049 510	1	CONNECTOR CV G2	7319519645

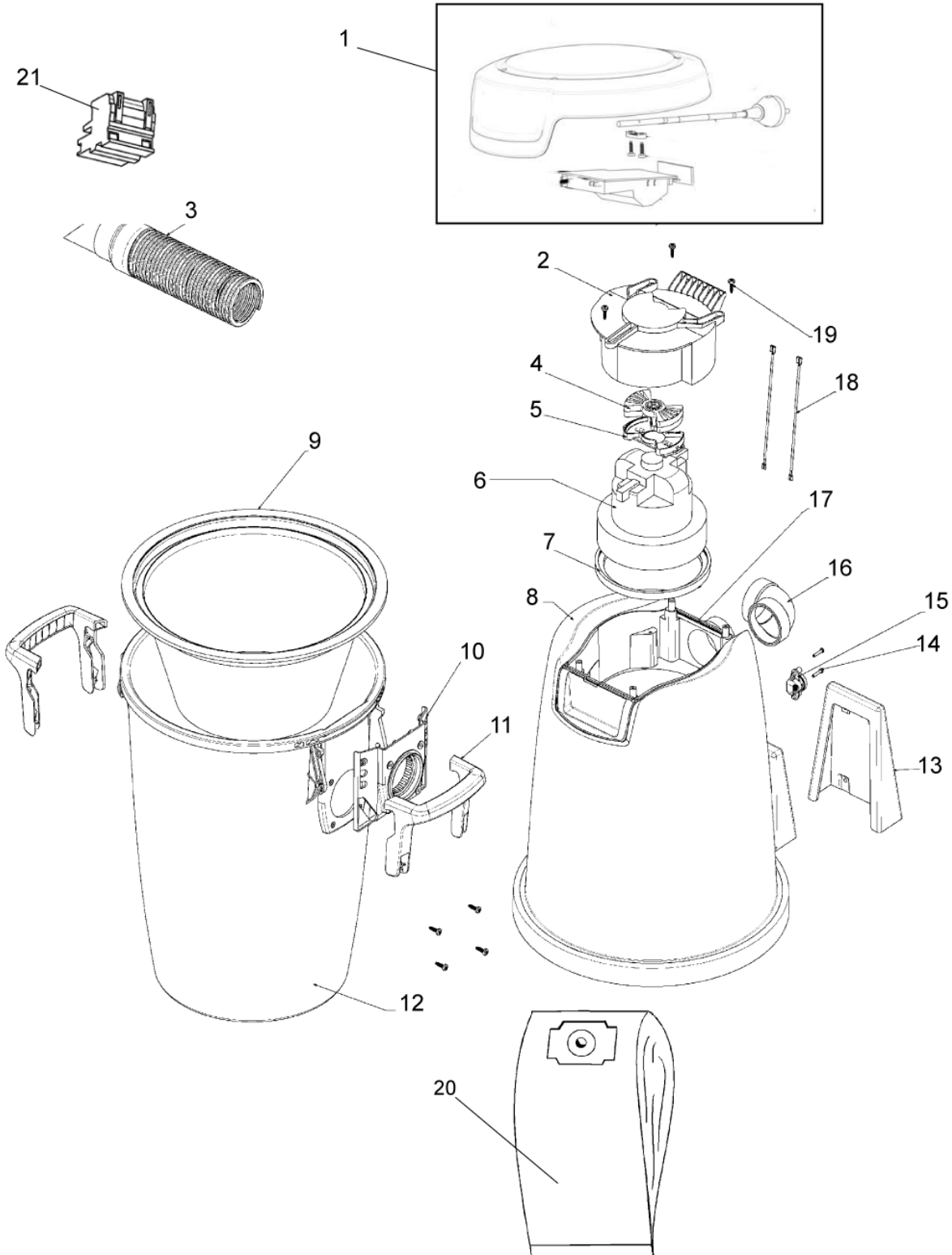
# CV 20, CV 25 up to Serial Number ??

CV 10, CV20, CV25, CV30i, CV35i (CA)

25-05-2009

Part List ID  
CV10203010

11



# CV 20, CV 25 up to Serial Number ??

CV 10, CV20, CV25, CV30i, CV35i (CA)

25-05-2009

Part List ID  
CV10203010

12

Pos	Part no.	Qty	Description	EAN
1	140 8510 570	1	COVER MOTOR NILF CV10/20 CA	7319519657
3	140 8543 510	1	HOSE CPL. CV G2	7319519650
4	82258200	1	DAMPER	7319519614
5	82320600	1	ADAPTOR F. FAN UNIT	7319519614
6	140 8624 630	1	FAN UNIT KIT	7319519660
6	147 1327 500	1	FAN UNIT KIT 120V 630 AIRW	7319519667
7	140 8523 000	1	GASKET MOTOR	7319519634
8	140 8501 010	1	CHASSIS NILFISK CV20	7319519634
9	140 8514 500	1	BAG FILTER	7319519650
10	140 8530 010	1	HOLDER DUST BAG ALTO/NILF.	7319519641
11	140 8503 010	1	HANDLE NILFISK CV	7319519641
12	140 8502 010	1	CONTAINER NILFISK	7319519634
13	140 8532 000	1	BRACKET WALL	7319519634
14	140 9214 220	1	SCREW PT K30X16 FZB	7319519602
15	140 7779 010	1	VACUUM VALVE CPL.	7319519642
16	140 6734 500	1	PIPE COUPLING 90 DEGREE	7319519664
18	140 7040 080	1	WIRE CPL. 4.8X0.8 L 290	7319519405
19	140 9214 040	1	SCREW PTK TORX 40X14 MM FZB	7319519418
20	140 7765 050	1	DUST BAGS 3-PACK.	7319519618
21	140 8049 510	1	CONNECTOR CV G2	7319519645

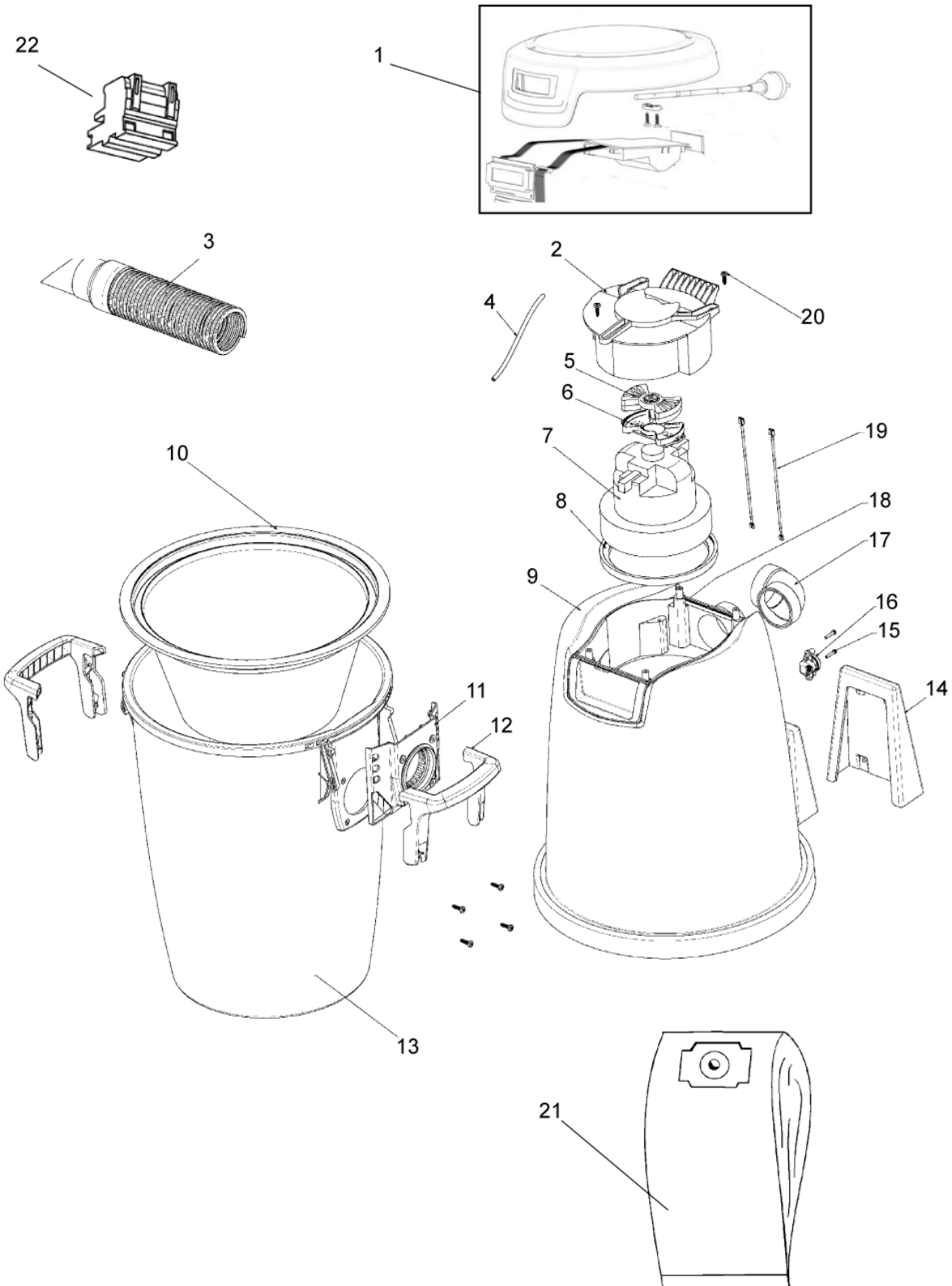
# CV 30i, CV35i up to Serial Number ??

CV 10, CV20, CV25, CV30i, CV35i (CA)

25-05-2009

Part List ID  
CV10203012

13



# CV 30i, CV35i up to Serial Number ??

CV 10, CV20, CV25, CV30i, CV35i (CA)

25-05-2009

Part List ID  
CV10203012

14

Pos	Part no.	Qty	Description	EAN
1	140 8510 560	1	COVER MOTOR NILF CV30I CA	7319519657
2	140 8521 000	1	NOISE TRAP	7319519635
3	140 8543 510	1	HOSE CPL. CV G2	7319519650
5	82258200	1	DAMPER	7319519614
6	82320600	1	ADAPTOR F. FAN UNIT	7319519614
7	140 8624 630	1	FAN UNIT KIT	7319519660
7	147 1327 500	1	FAN UNIT KIT 120V 630 AIRW	7319519667
8	140 8523 000	1	GASKET MOTOR	7319519634
9	140 8501 020	1	CHASSIS NILFISK CV30I	7319519641
10	140 8514 500	1	BAG FILTER	7319519650
11	140 8530 010	1	HOLDER DUST BAG ALTO/NILF.	7319519641
12	140 8503 010	1	HANDLE NILFISK CV	7319519641
13	140 8502 010	1	CONTAINER NILFISK	7319519634
14	140 8532 000	1	BRACKET WALL	7319519634
15	140 9214 220	1	SCREW PT K30X16 FZB	7319519602
16	140 7779 010	1	VACUUM VALVE CPL.	7319519642
17	140 6734 500	1	PIPE COUPLING 90 DEGREE	7319519664
18	140 6799 010	1	GASKET L 660	7319519640
19	140 7040 080	1	WIRE CPL. 4.8X0.8 L 290	7319519405
20	140 9214 040	1	SCREW PTK TORX 40X14 MM FZB	7319519418
21	140 7765 050	1	DUST BAGS 3-PACK.	7319519618
22	140 8049 510	1	CONNECTOR CV G2	7319519645

# Accessory kit sets

CV 10, CV20, CV25, CV30i, CV35i (CA)

25-05-2009

Part List ID  
CV10203014

15

1



3



# Accessory kit sets

CV 10, CV20, CV25, CV30i, CV35i (CA)

25-05-2009

Part List ID  
CV10203014

16

Pos	Part no.	Qty	Description	EAN
1	140 9149 410	1	ACCESSORY KIT RC 8M	7319519632
1	140 9149 420	1	ACCESSORY KIT RC 10M	7319519632
1	140 9149 430	1	ACCESSORY KIT RC 12M	7319519632
3	140 9149 510	1	ACC.KIT NILF STD C F 8M	7319519654
3	140 9149 520	1	ACC.KIT NILF STD C F 10M	7319519654
3	140 9149 530	1	ACC.KIT NILF STD C F 12M	7319519654

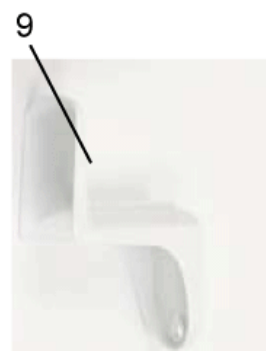
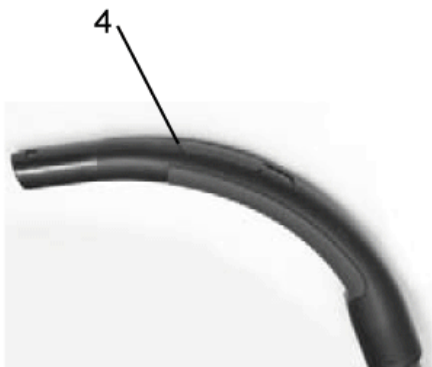
# Hoses

CV 10, CV20, CV25, CV30i, CV35i (CA)

25-05-2009

Part List ID  
CV10203016

17



# Hoses

CV 10, CV20, CV25, CV30i, CV35i (CA)

25-05-2009

Part List ID  
CV10203016

18

Pos	Part no.	Qty	Description	EAN
1	140 9237 000	1	HOSE 8 M WITH REMOTE CONTROL	7319519418
1	140 9237 020	1	HOSE 12 M WITH REMOTE CONTROL	7319519418
1	140 9237 030	1	HOSE 10 M WITH REMOTE CONTROL	7319519418
2	147 0790 010	1	HOSE 8M STD CLICK FIT CV	7319519654
2	147 0790 020	1	HOSE 10M STD CLICK FIT CV	7319519654
2	147 0790 030	1	HOSE 12M STD CLICK FIT CV	7319519653
4	147 0243 520	1	BENT END BASIC AND MEDIUM D32	7319519659
5	147 0788	1	BENT END CV LR RRC	7319519672
6	011 8130 500	1	TELESCOPIC TUBE ALUMINIUM	7319519631
7	147 0284 510	1	TELESCOPIC TUBE ALU. 32X1045	7319519647
8	140 6741 000	1	HOSE END	7319519400
9	140 9125 010	1	HOSE BRACKET	7319519418

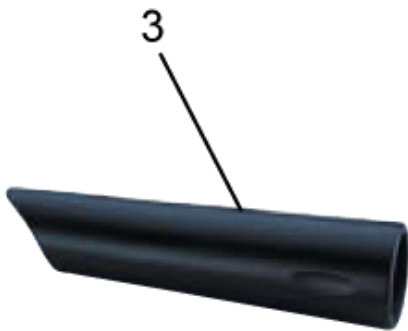
# Nozzles

CV 10, CV20, CV25, CV30i, CV35i (CA)

25-05-2009

Part List ID  
CV10203018

19



# Nozzles

CV 10, CV20, CV25, CV30i, CV35i (CA)

25-05-2009

Part List ID  
CV10203018

20

Pos	Part no.	Qty	Description	EAN
1	22359800	1	NOZZLE COMBI DELUXE	5715492010
2	140 6700 540	1	NOZZLE MULTI SURFACE 32 MM	7319519636
3	147 0146 500	1	CREVICE NOZZLE D32 L153 BLACK	7319519647
4	011 3104 500	1	SMALL COMBI NOZZLE	7319519629
5	147 0299 500	1	UPHOLSTERY NOZZLE D32 W142	7319519647
6	147 0300 500	1	TRIANGULAR NOZZLE D32	7319519647

# Inlets

CV 10, CV20, CV25, CV30i, CV35i (CA)

25-05-2009

Part List ID  
CV10203020

21

1



2



3



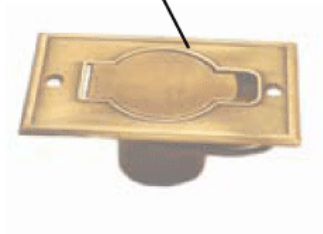
4



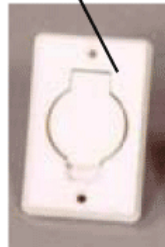
5



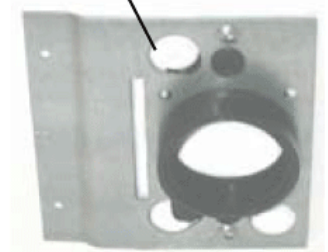
6



7



8



9



# Inlets

CV 10, CV20, CV25, CV30i, CV35i (CA)

25-05-2009

Part List ID  
CV10203020

22

Pos	Part no.	Qty	Description	EAN
1	140 9212 500	1	INLET VALVE EXT.CPL THICK WALL	7319519664
2	140 9229 010	1	INLET VALVE CPL.	7319519641
3	147 0812 500	1	INLET SMALL	7319519666
3	147 0813 500	1	INLET VALVE LARGE	7319519666
4	147 1165 000	1	STUD MOUNTING BRACKET ASSBLY	7319519661
5	140 8305 000	1	VAC PAN WHITE	7319519666
6	140 7955 500	1	FLOOR INLET BRASS	7319519664
7	140 6727 500	1	AUTOM INLET VALVE KIT	7319519666
7	140 7955 000	1	AUTOMATIC INLET VALVE WHITE	7319519605
7	140 7955 510	1	WALL INLET ANTIQUE METAL	7319519666
8	140 6732 500	1	STUD MOUNTING BRACKET ASSBLY	7319519666
9	140 9299 500	1	GARAGE INLET	7319519664

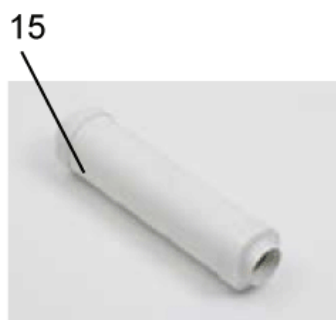
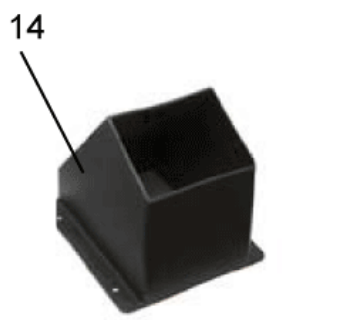
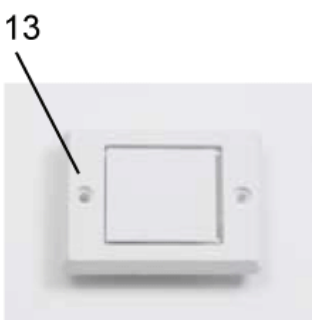
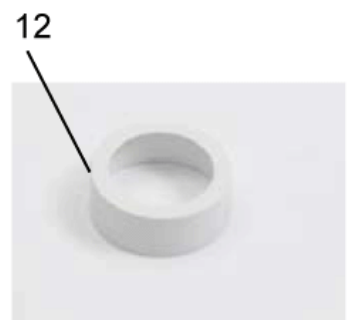
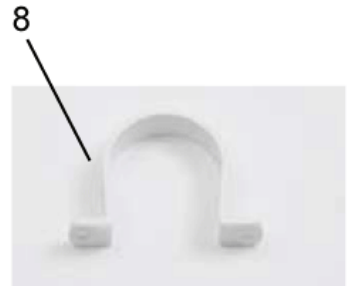
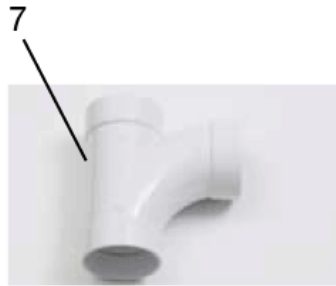
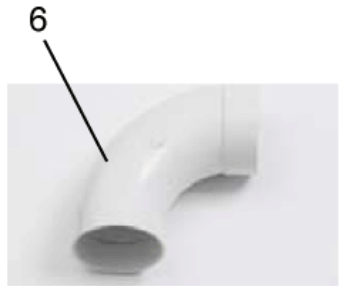
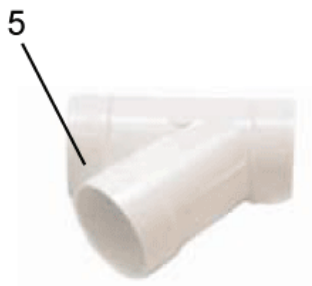
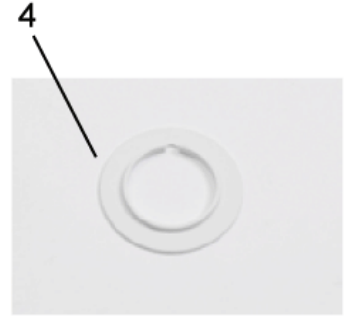
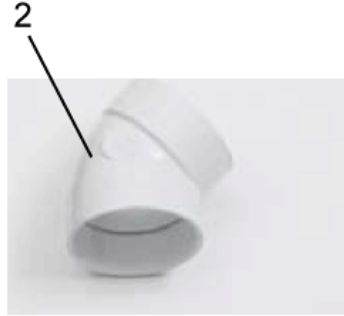
# Pipes and accessories for pipes

CV 10, CV20, CV25, CV30i, CV35i (CA)

25-05-2009

Part List ID  
CV10203022

23



# Pipes and accessories for pipes

CV 10, CV20, CV25, CV30i, CV35i (CA)

25-05-2009

Part List ID  
CV10203022

24

Pos	Part no.	Qty	Description	EAN
1	140 9114 110	1	TUBE 2 L 1200 ABS	7319519650
1	140 9114 500	1	PIPE 2 INCH L1.2M	7319519664
2	140 6733 010	1	45 DEGREE ELBOW ABS	7319519654
2	140 6733 500	1	PIPE COUPLING 45 DEGREE	7319519664
3	140 6734 010	1	SHARP ELBOW 90 DEGREE ABS	7319519654
3	140 6734 500	1	PIPE COUPLING 90 DEGREE	7319519664
4	140 9123 500	1	SLIP-ON HOLE HIDER	7319519666
4	140 9123 500	1	SLIP-ON HOLE HIDER	7319519666
5	140 6735 500	1	T-PIECE COUPLING 45 DEGREE	7319519664
6	140 6736 010	1	SWEEP ELBOW 90 DEGREE ABS	7319519654
6	140 6736 500	1	PIPE COUPLING 90 DEGREE	7319519664
7	140 6738 010	1	TEE-Y 90 DEGREE	7319519654
7	140 6738 500	1	T-PIECE COUPLING 90 DEGREE	7319519664
8	140 6729 010	1	HANGER STRAP ABS	7319519654
8	140 6729 500	1	HANGER STRAP	7319519664
9	140 6731 010	1	COUPLING ABS	7319519654
9	140 6731 500	1	COUPLING	7319519664
10	140 9249 020	1	GLUE BISON HARD 100ML	7319519654
10	140 9249 500	1	GLUE	7319519666
11	140 9210 000	1	LOW VOLTAGE WIRE	7319519418
12	140 6730 010	1	REDUCING BUSHING ABS	7319519654
12	140 6730 500	1	REDUCING BUSHING KIT	7319519666
13	140 9200 510	1	EXHAUST VENT	7319519666
14	140 9241 500	1	EXHAUST HOOD	7319519666
15	140 9124 010	1	SILENCER ABS	7319519654
15	140 9124 500	1	MUFFLER	7319519666

# Assembly kit sets

CV 10, CV20, CV25, CV30i, CV35i (CA)

25-05-2009

Part List ID  
CV10203024

25



# Assembly kit sets

CV 10, CV20, CV25, CV30i, CV35i (CA)

25-05-2009

Part List ID  
CV10203024

26

Pos	Part no.	Qty	Description	EAN
1	140 9259 160	1	INSTALLATION KIT CV PVC	7319519514
2	140 9259 180	1	INSTALLATION KIT CV ABS	7319519655

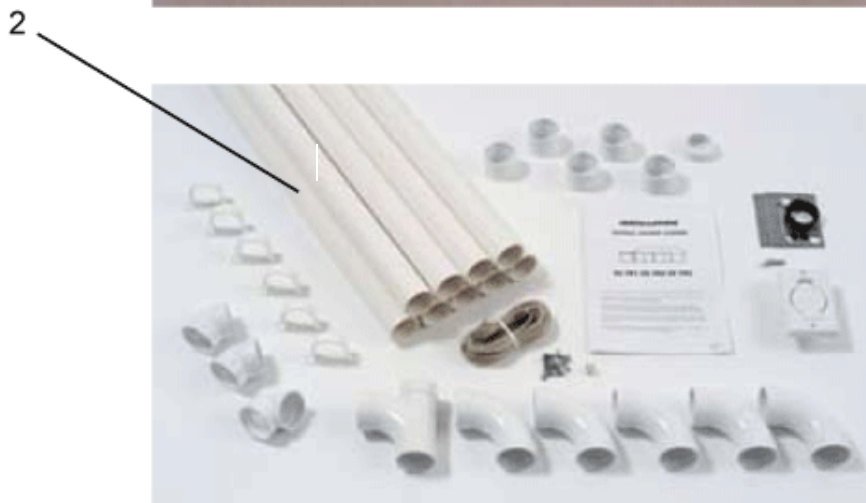
# Pipe kit sets

CV 10, CV20, CV25, CV30i, CV35i (CA)

25-05-2009

Part List ID  
CV10203026

27



# Pipe kit sets

CV 10, CV20, CV25, CV30i, CV35i (CA)

25-05-2009

Part List ID  
CV10203026

28

Pos	Part no.	Qty	Description	EAN
1	140 7954 050	1	PIPE SET F 1-P INLET VALVE PVC	7319519514
1	140 7954 060	1	PIPE SET F.2-P INLET VALVE PVC	7319519641
2	140 7954 070	1	PIPE SET F.1-P INLET VALVE ABS	7319519655
2	140 7954 080	1	PIPE SET F.2-P INLET VALVE ABS	7319519655
3	140 7954 090	1	PIPE SET START KIT PVC	7319519661
4	140 7954 100	1	SUPPLEMENT PACKAGE	7319519661