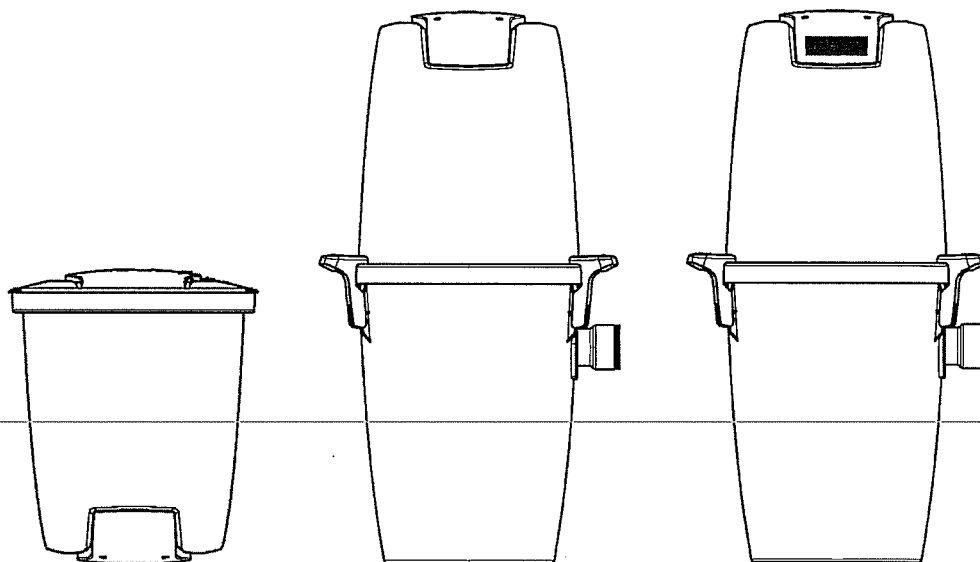


08-06

**SPARE PARTS LIST**

**CV 10, CV 20, CV 30i, CV 30i RRC  
CENTRAL VACUUM CLEANERS**



**DESCRIPTION**

**PLAN**

CV 10 drawing

2

CV 20, CV 25 drawing

4

CV 30i, CV 35i drawing

6

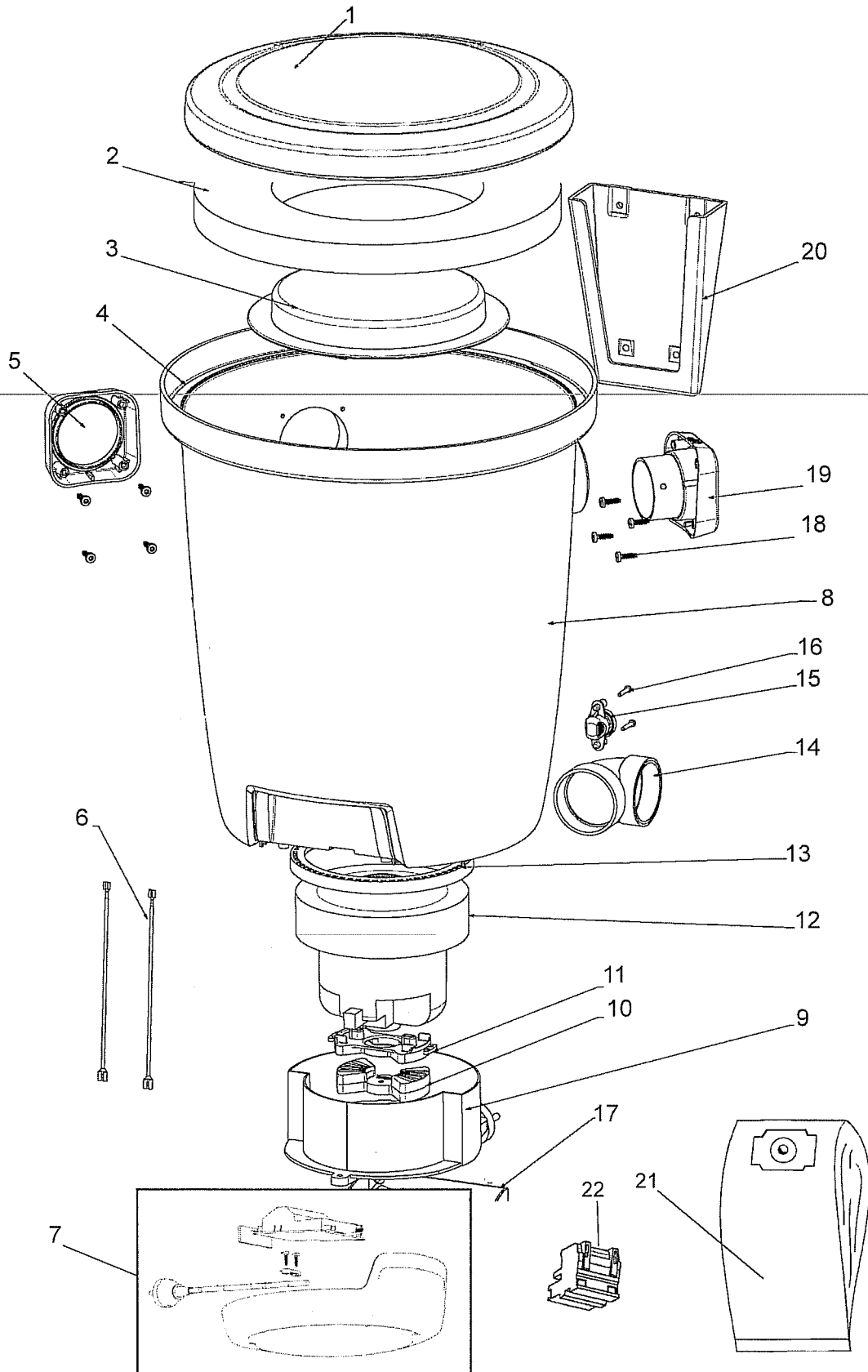
**SPARE PARTS LIST**

**07-01**

**2**

**NILFISK CV 10**

**07-03**



<b>06-05</b>	<b>SPARE PARTS LIST</b>		
<b>07-01</b>	<b>NILFISK CV 10</b>		<b>3</b>

<b>Pos.nr</b>	<b>Part nr.</b>	<b>Qty.</b>	<b>Description</b>	<b>EAN-code</b>
1	140 8504 010	1	Lid	7319519641714
2	140 8539 500	1	Filter	7319519650280
3	140 8537 000	1	IP cover	7319519635041
4	140 0061 060	1	Gasket	7319519640076
5	140 8536 010	1	Plug	7319519641783
6	140 7040 080	1	Wire cpl. 4.8x0.5 L=290 mm	7319519405156
7	140 8510 570	1	Cover motor cpl. CAN-plug, PCB	7319519657050
8	140 8526 010	1	Chassis	7319519640113
9	140 8521 000	1	Noise trap	7319519635034
10	82258200	1	Damper	7319519614244
11	82320600	1	Adapter f fan unit	7319519614237
12	140 8624 510	1	Fan unit 220-240V 1300 W	7319519634884
12	>> 140-8624-630	1	Fan-unit 120V 1300W	7319519650570
13	140 8523 000	1	Gasket for motor	7319519634877
14	140 6734 500	1	Elbow 90 ° sharp	7319519400915
15	140 7779 010	1	Vacuum valve cpl.	7319519642483
16	140 9214 220	1	Screw PT K30x16 FZB	7319519602203
17	140 6799 010	1	Gasket L=660 mm	7319519640045
18	140 9214 040	1	Screw PTK Torx 40x14 mm FZB	7319519418606
19	140 8535 010	1	Inlet	7319519641790
20	140 8532 000	1	Bracket wall	7319519634952
21	147 0770 010	3	Dustbags 3-P.	7319519650259
22	>> 140 8049 510	1	Connector f. low voltage wire	7319519645330

>> Means: New or changed ref. number or/and changed/new specifications

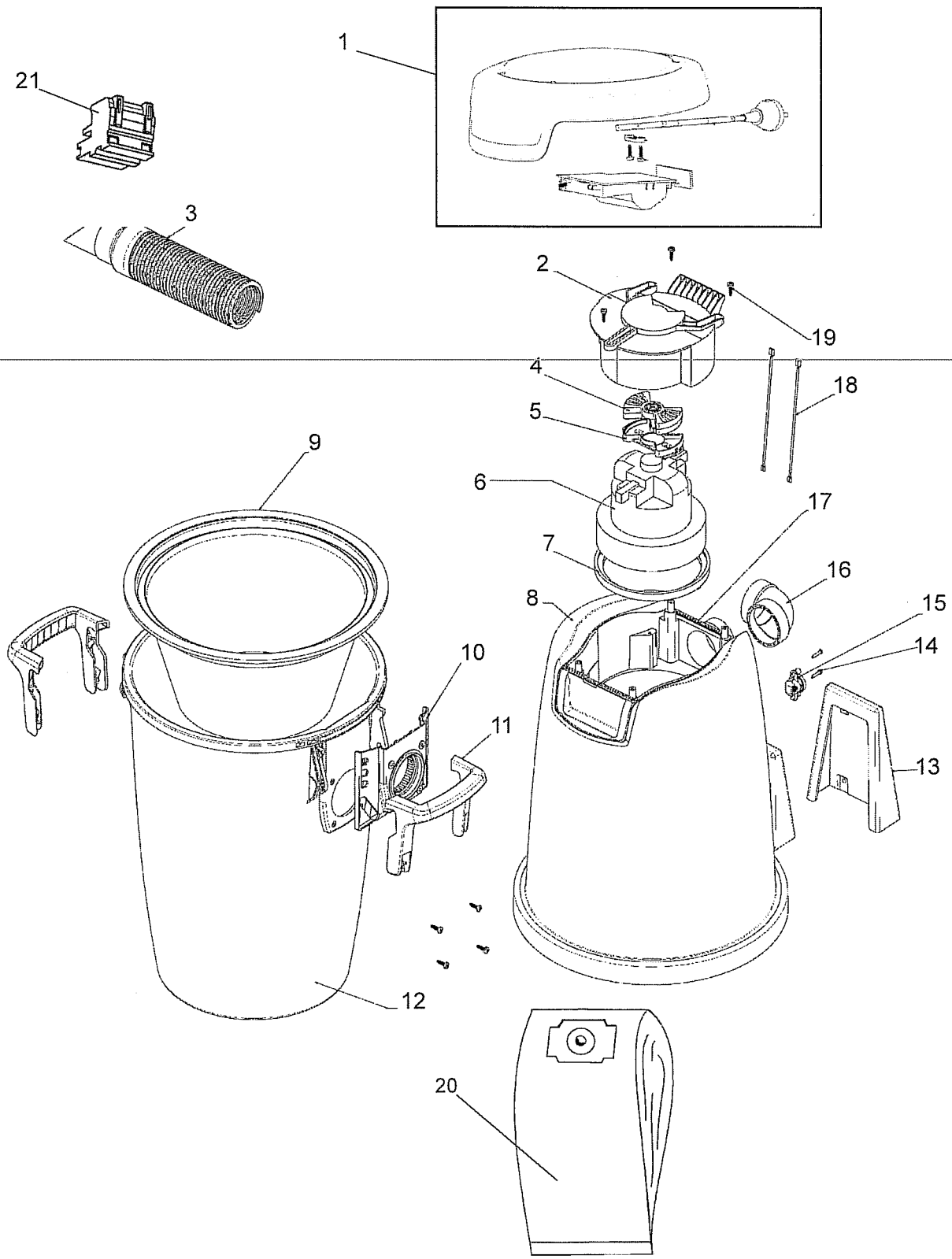
**SPARE PARTS LIST**

**07-01**

**4**

**NILFISK CV 20, CV 25**

**07-03**



<b>07-01</b>	<b>SPARE PARTS LIST</b>			
<b>08-06</b>	<b>NILFISK CV 20, CV 25</b>			<b>5</b>

<u>Pos.nr</u>	<u>Part nr.</u>	<u>Qty.</u>	<u>Description</u>	<u>FAN-code</u>
1	140 8510 570	1	Cover motor cpl. CAN.-plug, PCB	7319519657050
2	140 8521 000	1	Noise trap	7319519640113
3	140 8543 510	1	Hose cpl. 0.6 m	7319519650167
4	82258200	1	Damper	7319519614244
5	82320600	1	Adapter for fan unit	7319519614237
6	>> 140 8624 630	1	Fan unit 120V - 586	7319519660944
6	>> 147 1327 500	1	Fan unit 120V - 640	
7	140 8523 000	1	Gasket for motor	7319519634877
8	140 8501 010	1	Chassis	7319519634846
9	140 8514 500	1	Sack filter cpl.	7319519650297
10	140 8530 010	1	Dust bag holder	7319519641769
11	140 8503 010	1	Handle	7319519641653
12	140 8502 010	1	Container	7319519634914
13	140 8532 000	1	Bracket wall	7319519634952
14	140 9214 220	1	Screw PT K30x16 FZB	7319519602203
15	140 7779 010	1	Vacuum valve cpl.	7319519642483
16	140 6734 500	1	Elbow 90 ° sharp	7319519400915
18	140 7040 080	1	Wire cpl. 4.8x0.5 L=290 mm	7319519405156
19	140 9214 040	1	Screw PTK, Torx 40x14 mm FZB	7319519418606
20	140 7765 050	1	Dustbags 3-P.	7319519618464
21	>> 140 8049 510	1	Connector f. low voltage wire	7319519645330

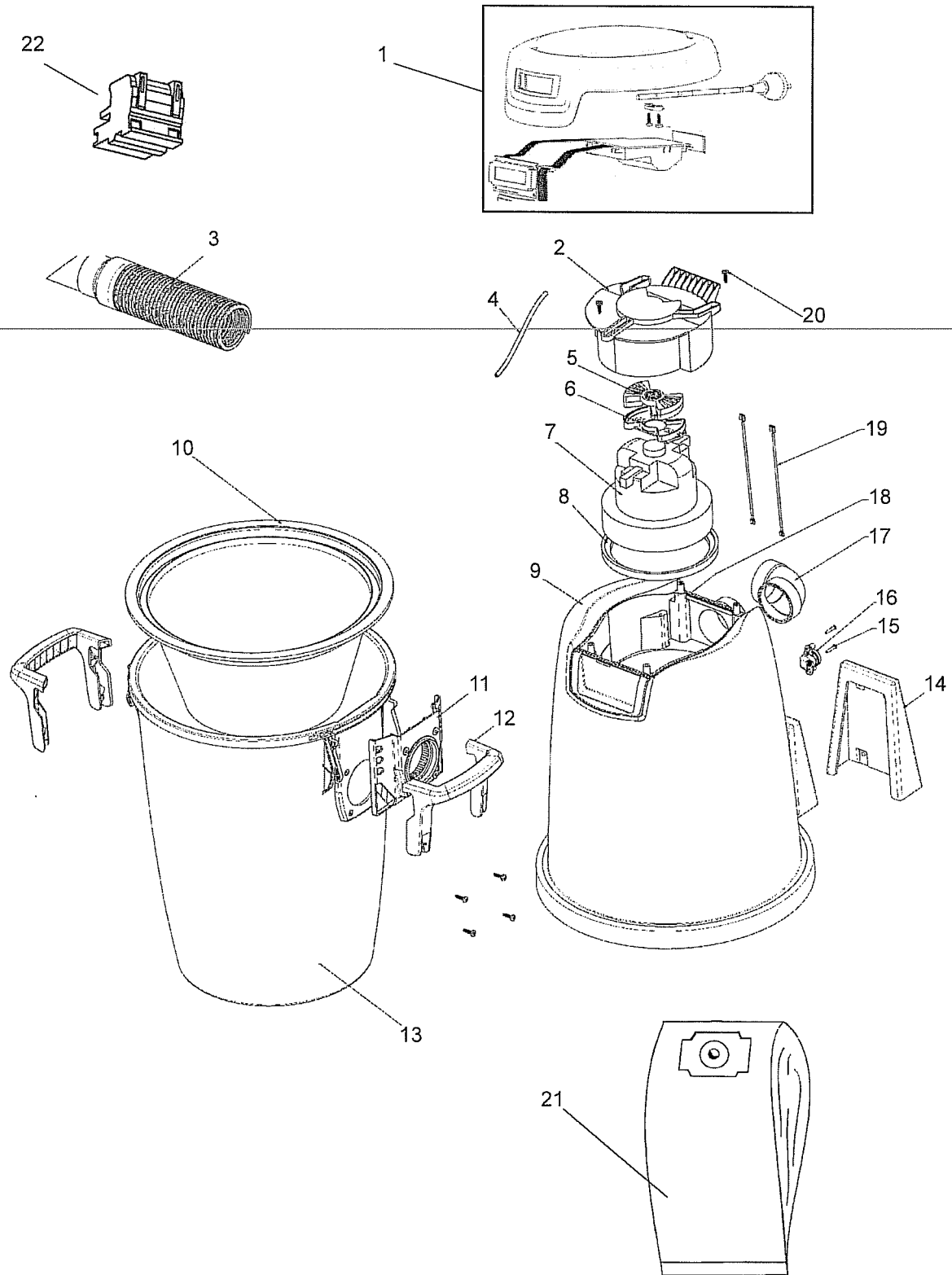
>> Means: New or changed ref. number or/and changed/new specifications

**SPARE PARTS LIST**

**07-01**

**6 NILFISK CV 30i, CV 35i**

**07-03**



<b>07-01</b>	<b>SPARE PARTS LIST</b>			
<b>08-06</b>	<b>NILFISK CV 30i, CV 35i</b>			<b>7</b>

<b>Pos.nr</b>	<b>Part nr.</b>	<b>Qty.</b>	<b>Description</b>	<b>FAN-code</b>
1	140 8510 560	1	Cover motor cpl. CAN-plug & PCB incl.	7319519657043
2	140 8521 000	1	Noise trap	7319519635034
3	140 8543 510	1	Hose cpl. 0.6 m	7319519650167
4	140 5681 000	1	Hose 5x3x200 mm	7319519389036
5	82258200	1	Damper	7319519614244
6	82320600	1	Adapter for fan unit	7319519614237
7	>> 140 8624 630	1	Fan unit 120V	7319519660944
7	>> 147 1327 500	1	Fan unit 120V 630 AirW	
8	140 8523 000	1	Gasket for motor	7319519634877
9	140 8501 020	1	Chassis	7319519641639
10	140 8514 500	1	Sack filter cpl.	7319519650297
11	140 8530 010	1	Dust bag holder	7319519641769
12	140 8503 010	1	Handle	7319519641653
13	140 8502 010	1	Container	7319519634914
14	140 8532 000	1	Bracket wall	7319519634952
15	140 9214 220	1	Screw PT K30x16 FZB	7319519602203
16	140 7779 010	1	Vacuum valve cpl.	7319519642483
17	140 6734 500	1	Elbow 90 ° sharp	7319519400915
18	140 6799 010	1	Gasket 660 mm	7319519640045
19	140 7040 080	1	Wire cpl.4.8x0.5 L=290 mm	7319519405156
20	140 9214 040	1	Screw PTK Torx 40x14 mm FZB	7319519418606
21	140 7765 050	1	Dustbags 3-P.	7319519618464
22	>> 140 8049 510	1	Connector f. low voltage wire	7319519645330

>> Means: New or changed ref. number or/and changed/new specifications